

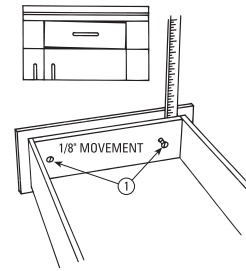
## DRAWER ADJUSTMENTS

### DRAWER FRONT ADJUSTMENTS

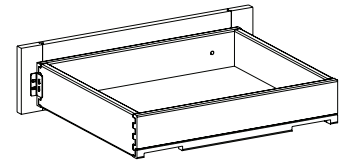
If a drawer front looks crooked, first measure at each end of the drawer front to see if the height is the same. If not, slightly loosen the screws (1) attaching the drawer front to the drawer box. Make any up, down or sideways adjustments and then tighten the screws.

**NOTE:** This adjustment can only be made PRIOR to installing decorative hardware (handles or knobs).

For cabinets with a 5-piece drawer head, make adjustments by removing the plastic cover and loosening the side brackets attaching the drawer head to the side of the drawer box. Simply loosen the screw on the drawer and determine the proper up or down position, then retighten the screw.



**DRAWER FRONT ADJUSTMENTS**



**5-PIECE DRAWER HEAD ADJUSTMENTS**

### WHISPER TOUCH™ DRAWER RUNNER ADJUSTMENTS

We construct our cabinetry using several types of self-adjusting drawer suspension systems. The drawer function and in some cases, the options chosen by the purchaser determine the runner type used.

- Sidemount runners (used only on roll-out trays)
- Full-extension undermount runners with soft close buffer system
- Full-extension sidemount runners (used on drawer storage and desk double file drawer cabinets)

We equip sidemount runners with self-adjusting rear mounting clips. If roll-out trays rub or bind, remove the tray and check the position of the screws in the runner, as well as in the cabinet. You may need to retighten these screws to eliminate any interference or chafing.

The full-extension undermount runners with soft close buffer system can be adjusted while the drawer is in place.

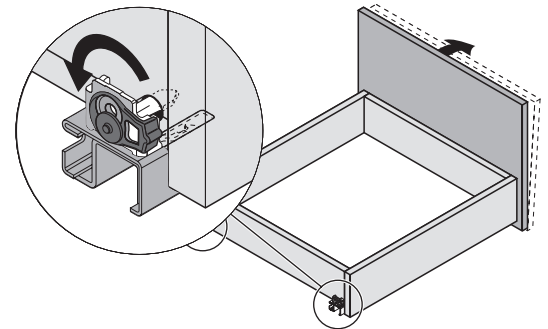
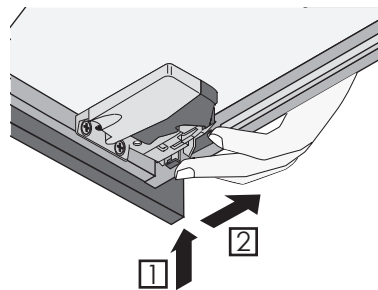
#### WHISPER TOUCH™ FULL-EXTENSION UNDERMOUNT DRAWER RUNNER

##### Front height adjustment

Press up on adjustment tab (1). Push toward back of drawer (2).

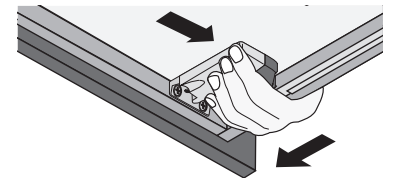
##### Rear height adjustment

Rotate the adjustment lever on the rear of each runner to raise the drawer box; this will tilt the drawer front forward (3).



### DRAWER BOX

The drawer can easily be removed by opening the drawer and squeezing the orange handles on locking devices then pull the drawer straight out and up. To put the drawer back in place simply, place the drawer on top of the runners and close the drawer. The locking devices will click and engage with the runners automatically. Open the drawer completely to check if the locking devices have engaged.



### DOOR & DRAWER BUMPER ADJUSTMENTS (PERMASET™ BUMPERS)

The material used in our door and drawer bumpers coordinates well with all wood species and will help provide a pliable protective cushion for years to come. These bumpers will not slide across the door or drawer surface or drop off with age, but could occasionally become dislodged. To replace a bumper, gently push the bumper into the door or drawer bumper hole.

**DOOR & DRAWER BUMPER**

