

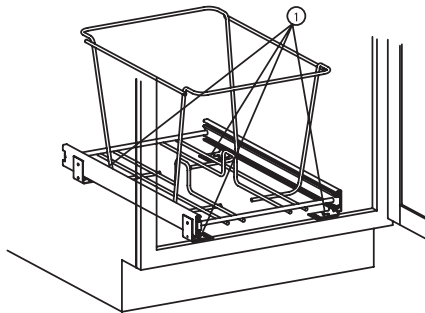
WASTEBASKET ADJUSTMENTS

BASE WASTEBASKET ADJUSTMENTS

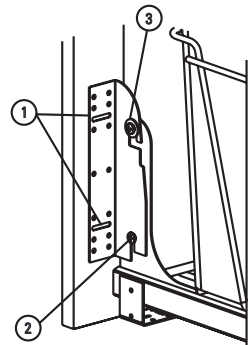
Floor Mount (A) – The floor-mounted base wastebasket contains slotted holes (1) which enable the floor mount itself to move left or right.

Door Mount (B) – To adjust the cabinet door right or left, loosen the screws (1) that attach the door and wastebasket unit. Move the door until it is at the desired position and retighten the screws. To adjust the cabinet door in or out, loosen the lock screws (2) near the unit's bottom, then loosen the adjustment screw (3) near the unit's top. Move the door until it is at the desired position and retighten the adjustment screws followed by the lock screws.

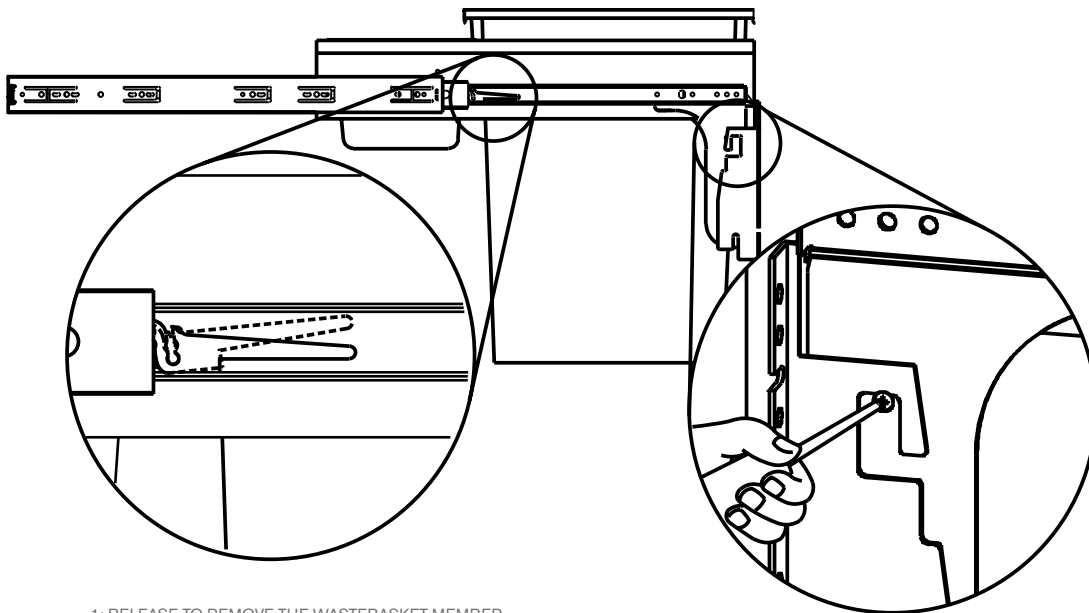
Top Mount Wastebasket Release (C) – To remove the wastebasket member, pull the unit all the way out and lift up on the lever located along the left side.



(A) FRAMED FLOOR-MOUNTED
WASTEBASKET



(B) FRAMED DOOR-MOUNTED
WASTEBASKET



1: RELEASE TO REMOVE THE WASTEBASKET MEMBER
FROM CABINET MEMBER

2: LOOSEN FOUR SCREWS ON THE SLIDE MEMBER TO REMOVE
DOOR AND PROPERLY ALIGN DOOR

(C) WASTEBASKET RELEASE