

## MAKING ADJUSTMENTS

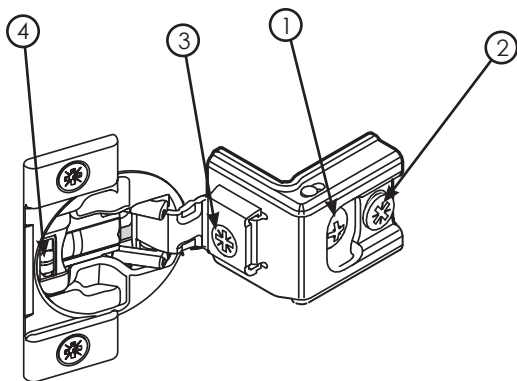
### HINGE ADJUSTMENTS

We construct our cabinetry with several types of durable, high-performance hinges that will operate smoothly and silently for years. Periodically, you should tighten hinge screws, because they can loosen over time with normal use. For specific adjustments, refer to the following pages.

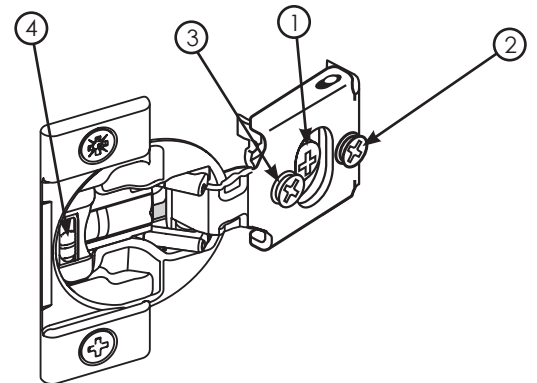
NOTE: Make adjustments with a hand-powered screwdriver to help eliminate over tightening, sometimes caused by power screwdrivers.

### WHISPER TOUCH™ HINGE ADJUSTMENTS

We use several different cup hinges on our cabinetry. The overlay (concealment of the frame) for that door style dictates the exact design. As shown here, simply loosen the screws (1) (attach the hinges to the frame) and move the door up or down to the desired position. For in or out adjustments on cup hinges, turn the cam screws (2) clockwise to move the door in or counter-clockwise to move the door out. For left or right adjustments, turn the cam screws (3) clockwise to move right and counter-clockwise to move left. (4) On-off switch – to activate the soft-close put the switch in the "on" position by moving it toward the (-) symbol, "off" position – switch is moved towards the (o) symbol. On-off position allows you to control the rate of speed at which the door closes. When moving from the on to off position, the door must close one cycle for the feature to engage.



FULL-OVERLAY HINGE

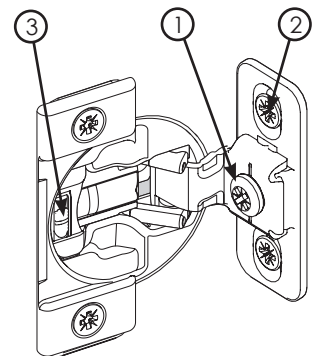


1/2" OVERLAY HINGE

### WHISPER TOUCH™ OVEN CABINET HINGE ADJUSTMENTS

To adjust the cup hinges on oven cabinets, turn the cam screw (1) counter clockwise to move the door left, clockwise to move right. You can make up and down adjustments by loosening the screws (2) attaching the plate to the face of the cabinet frame and then tightening in the desired position. (3) On-off switch – to activate the soft-close put the switch in the "on" position by moving it toward the (-) symbol, "off" position – switch is moved towards the (o) symbol. On-off position allows you to control the rate of speed at which the door closes.

When moving from the on to off position, the door must close one cycle for the feature to engage.



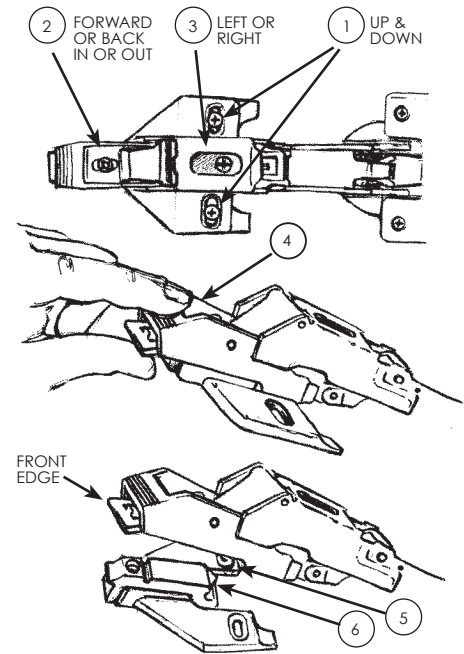
OVEN CABINET HINGE

## EASY-REACH HINGE ADJUSTMENTS

If your kitchen includes an Easy-Reach cabinet, and it needs adjustments, you should follow these guidelines. For up and down adjustment, follow this procedure: With the door attached to the cabinet, loosen the Phillips head screws (1) attaching the hinge plate to the cabinet frame. Move the door to the desired position and tighten the screws. For forward or backward movement of the door, adjust the Phillips head screw (2) at the end of the hinge arm.

For left and right adjustment, locate the concealed Phillips head screw (3) through the slot in the arm of the hinge. Insert a screwdriver into the slot and turn the screw to the desired adjustment.

For easier installation or cleaning of the cabinet, you can remove the Easy-Reach doors by squeezing the latch (4) between the thumb and forefinger. To place a door back on the cabinet, insert the door hinge into the slotted space (5) and (6) on the hinge plate. Once the clasp is in the slot on the back of the hinge, the assembly will snap together. For adjustments, it is important that the door remain on the cabinet for reference and alignment with other doors or drawers.

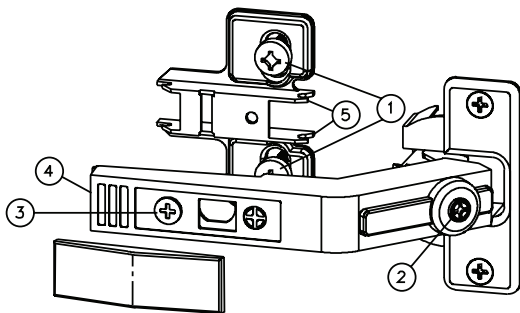


**EASY-REACH HINGE**

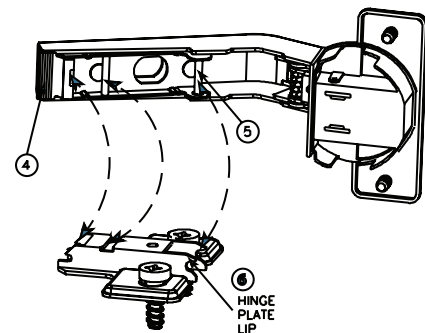
## BI-FOLD EASY-REACH HINGE ADJUSTMENTS

The framed bi-fold hinge connects two Easy-Reach doors. For up and down adjustment, remove cover cap on the hinge and locate the screws (1) on the hinge plates. Loosen these screws and tighten after proper adjustment. For proper adjustment of the gap between the two doors, loosen the screw (2) on the shortest arm of the bi-fold hinge and tighten after adjustment. Adjust the door in and out by loosening the inner screw (3) on the longer arm of the hinge. Tighten at the desired position.

You can remove the door by squeezing the release plate (4) at the end of the longer hinge arm. To re-attach, insert the pin (5) beneath the lip on the hinge plate (6) and press on the end of the hinge arm (4).



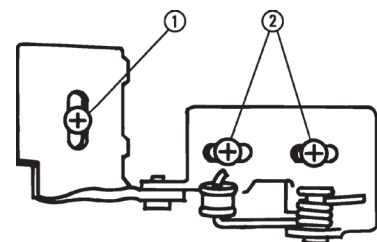
**BI-FOLD HINGE FRONT**



**BI-FOLD HINGE BACK**

## KNIFE HINGE ADJUSTMENTS

Knife hinges allow for up and down or left and right adjustments. To adjust the door up or down, loosen the screws (1) that attach the hinges to the cabinet frame. To adjust left or right, simply loosen the screws (2) in the slotted holes in the hinge. Depending on how many screws you loosen, you can move the entire door left or right, or you can pivot the bottom or top of the door left or right. Tighten the screws at the desired position.



**KNIFE HINGE**